

### Features

- Innovative roller design simplifies installation and provides out-of-plumb adjustability while glass is installed.
- Cushioned center guide provides smooth, quiet sliding action.
- Gently curved towel bars, inside and outside, provide integrated storage on the door.
- CleanCoat®+ glass coating creates a hydrophobic barrier that repels water, soap scum, and residue, saving time and protecting shower doors 10 times longer than original CleanCoat. (Based on 2021 internal wear/abrasion testing using a microfiber cloth.)

### Technology

- Frameless ¼" (13 mm) frosted tempered glass.

### Installation

- Sliding bath door.
- Not for use in hospitality.

### Recommended Products/Accessories

K-23723 Faucet cleaner

### Included Components

Additional Components:

Hardware kit



### Codes/Standards

CPSC 16CFR 1201

ANSI Z97.1

### KOHLER® One-Year Limited Warranty

See website for detailed warranty information.

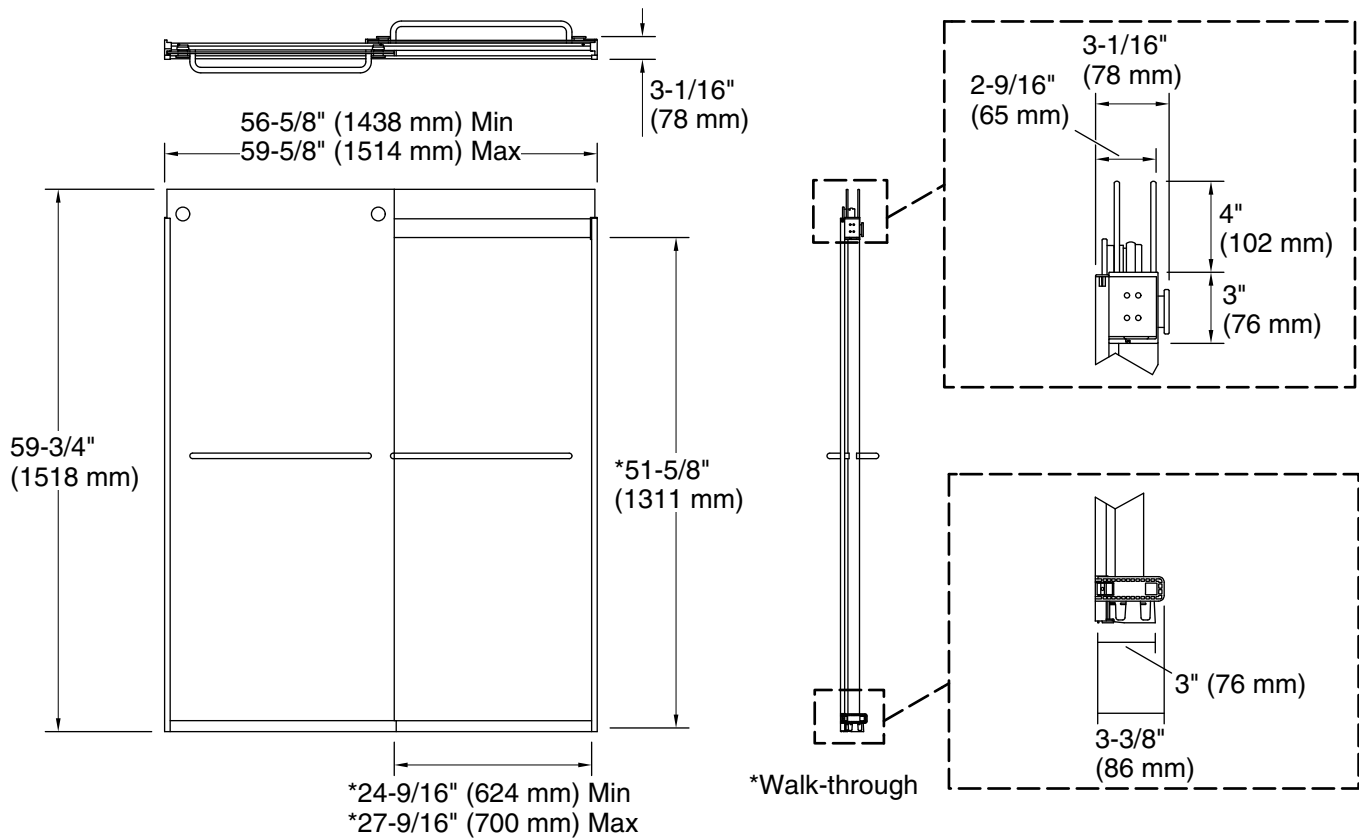
### Available Colors/Finishes

*Color tiles intended for reference only.*

| Color   | Code | Description             |
|---|------|-------------------------|
|  | SH   | Bright Silver           |
|  | MX   | Matte Nickel            |
|  | ABV  | Anodized Brushed Bronze |
|  | ABZ  | Anodized Dark Bronze    |
|  | BL   | Matte Black             |

### Available Glass Options

| Code | Description |
|------|-------------|
| D3   | Frosted     |



### Technical Information

All product dimensions are nominal.

|                            |                       |
|----------------------------|-----------------------|
| Installation type:         | For bath installation |
| Opening style:             | Sliding/Bypass        |
| Opening Width - Min:       | 56-5/8" (1438 mm)     |
| Opening Width - Max:       | 59-5/8" (1514 mm)     |
| Walk-through - Min:        | 24-9/16" (624 mm)     |
| Walk-through - Max:        | 27-9/16" (700 mm)     |
| Base-To-Wall Radius - Max: | 1/2" (13 mm)          |
| Glass thickness:           | 1/4" (6 mm)           |
| Glass coating:             | CleanCoat®            |

### Notes

Install this product according to the installation guide.

If replacing a shower door, the narrow wall jamb design of this door may not cover the existing shower door holes.

The vertical opening should be a minimum of 62-1/4" (1581 mm) to allow for installation clearance.